

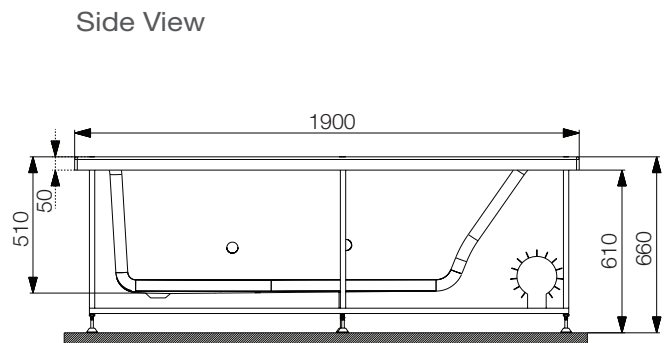
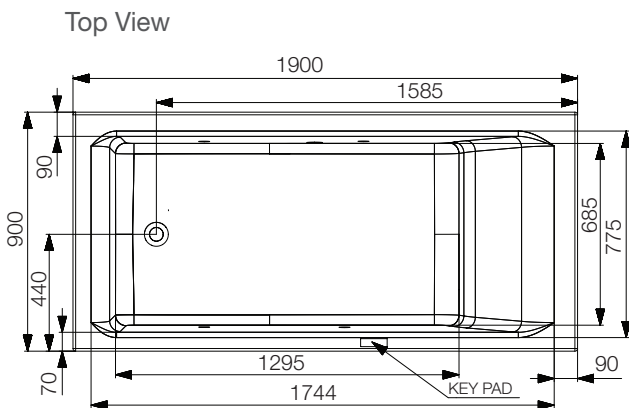
PRODUCT DETAILS

Range Name	QUADRO
Category	OXYPOOL SYSTEM
Code	AWL-WHT-QUADRO1900X
Size (mm)	1900 x 900 x 500
Material	Acrylic PMMA
Reinforcement	PU GREEN

PRODUCT IMAGE



TECHNICAL DRAWING



Accessories Included

Drain & Overflow with Smart Filler | Frame SS202 | Headrest

FEATURES

- Size: 1900 x 900 x 500 mm
- Depth: 500 mm
- Oxy Jets: 2 Units
- Chromo Source: 2
- Oxy Pump Capacity: 1.8 hp
- Power Rating (Max): 1.5 kW
- Control Pad: Digital

DISCLAIMER: Our every effort has been made to ensure factual accuracy, the information presented subject to changes due to requirements in different sites, markets and/ or countries. All dimensions are in mm (Tolerance ± 5 MM). Jaquar reserves the right to make the necessary amendments at any time without prior notice.